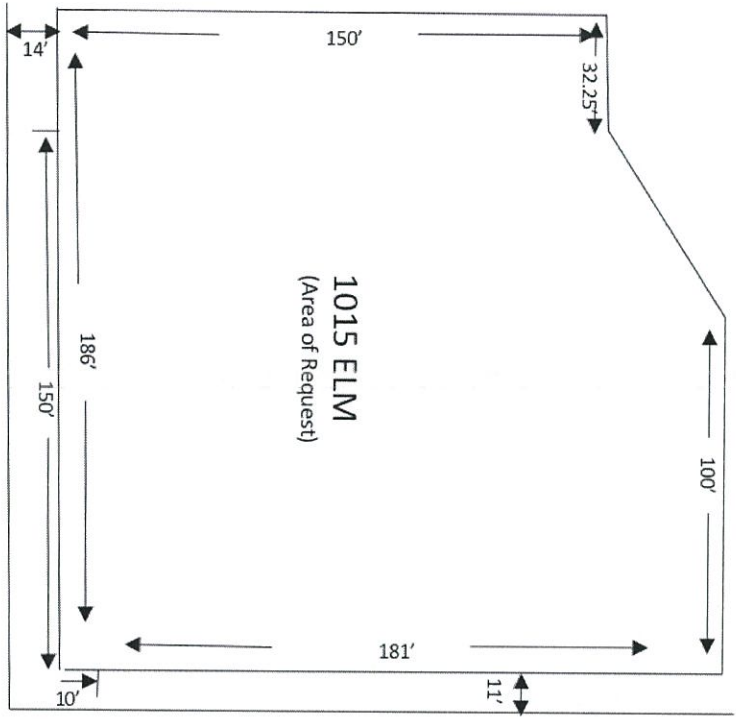


SITE PLAN
1" = 50'



Videoboard Sign
(SUP 2006)

1015 ELM

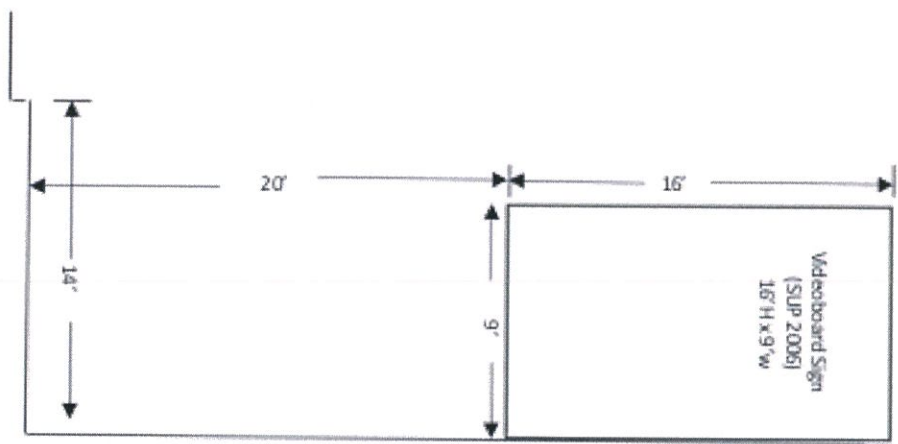
1015 ELM
(Area of Request)

Videoboard Sign
(SUP 2005)

GRIFFIN

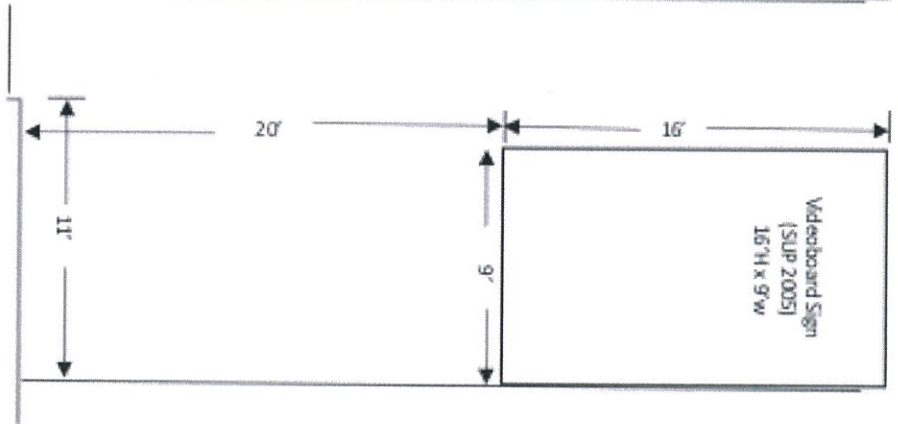
ELEVATION
1" = 8'

VIEW/LOOKING WEST
ON ELM ST



ELEVATION
1" = 8'

VIEW/LOOKING SOUTH
ON GRIFFIN ST



Z 189-164